

HS-217SHB-B-NB Outdoor-housing



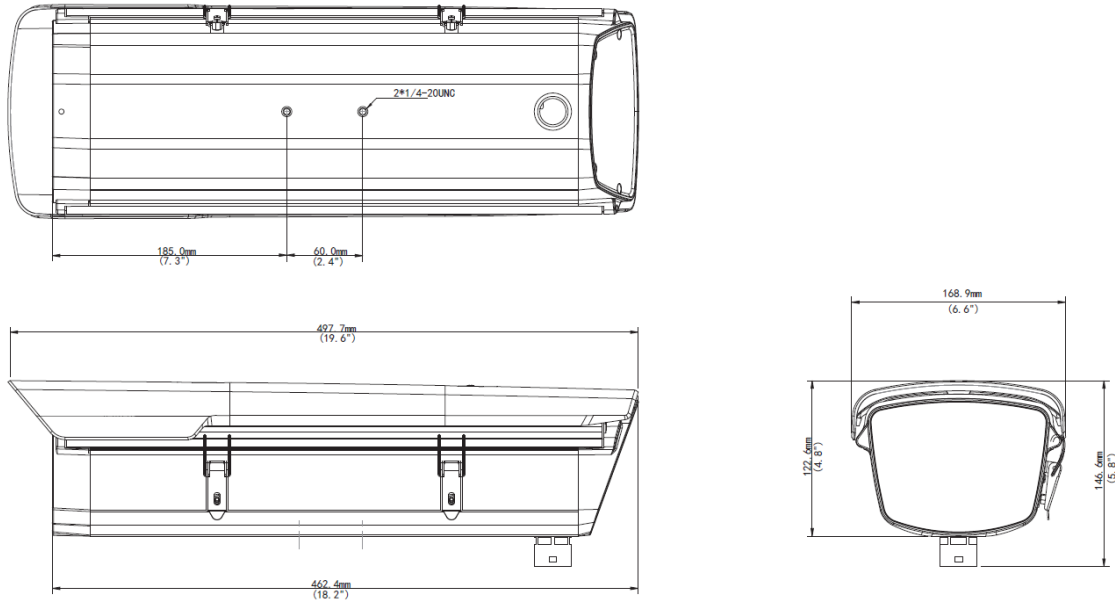
Features

- Anti-corrosive and ultraviolet-proof material to enhance outdoor durability
- Combined with adjustable sun shade from direct solar radiation
- Built-in temperature control module, it can automatically control heater and fan's working condition according to ambient temperature
- Easy and flexible installation with side open structure
- IP66-rated

Specifications

HS-217SHB-B-NB (including sun shade,Heater,Fan)	
Application	Indoor\Outdoor
Power supply	AC24V
Power	Heater:20W, Fan:1.8W
Operating Condition	-40°C~70°C(-40°F ~ 158°F) Humidity ≤95%RH(non-condensing)
Working conditions of temperature control module	The heating on:≤9±3°C The heating off:≥14±3°C The fan opens when the heat is turned on
Dimensions (L x W x H)	497.7mm×122.6mm×168.9mm
Weight	2.7kg(5.95lb)
Material	Shell:aluminum alloy Sun shade:plastic
Ingress Protection	IP66

Dimensions



Zhejiang Uniview Technologies Co., Ltd.

South Tower, Building 10, Wanlun Science Park, 88 Jiangling Road, Hangzhou, P.R. China 310051

Email: overseasbusiness@uniview.com; globalsupport@uniview.com

<http://www.uniview.com>

©2019 Zhejiang Uniview Technologies Co., Ltd. All rights reserved.

*Product specifications and availability are subject to change without notice.